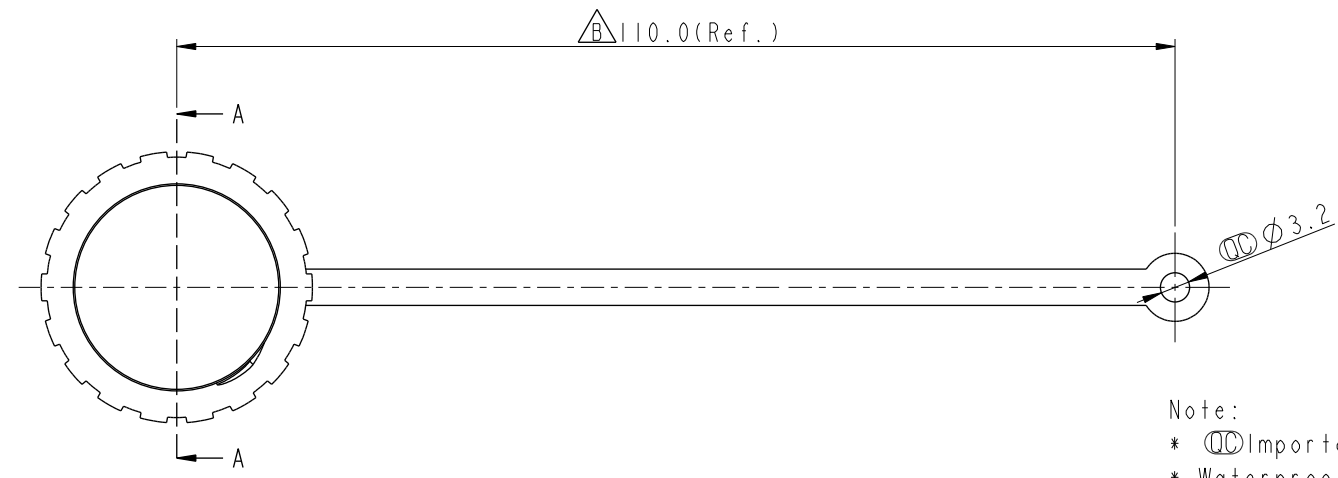
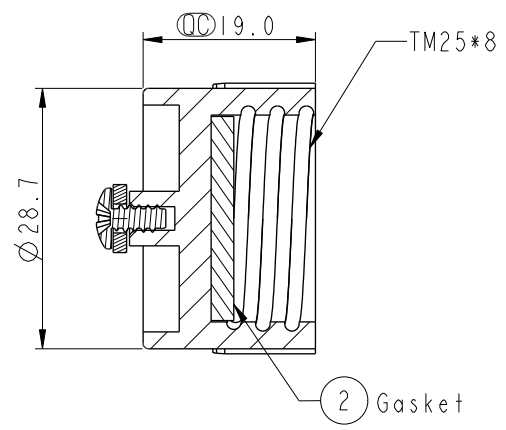
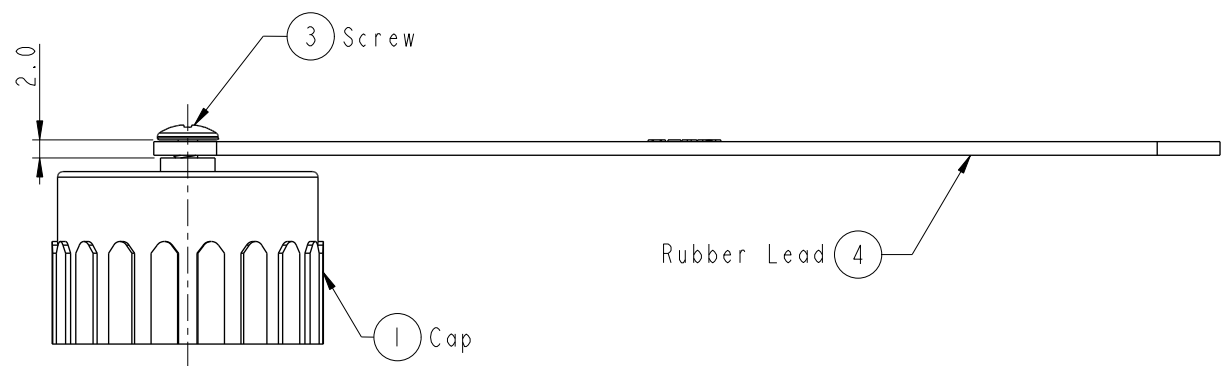


THIS DOCUMENT IS SUBJECT TO CHANGE WITHOUT NOTICE. IT IS CONFIDENTIAL AND A PROPERTY OF Amphenol LTW. DISCLOSURE TO THIRD PARTY HAS TO BE AUTHORIZED BY Amphenol LTW.

| REV. | ECN NO. | DATE | SIGN | DESCRIPTION |
|------|-----------------|------------|-------|---------------------------|
| A | Initial Release | 2013/09/12 | Vicky | Old Item No. CAP-WTAMMSC1 |
| B | C230202 | 2023/02/16 | Vicky | $\triangle B$ X2 |



Note:

- * CC Important Dimension.
- * Waterproof Rate: IP67
- * Cap: Nylon+GF, Black
- * Gasket: EPDM, Black
- * Rubber Lead: TPES, Black
- * Screw is not allowed to tight (Chain be revolve)
不可將螺絲鎖緊, (鏈條要可旋轉)

| | | | | | | | | | | | | | |
|---|-----------|------------------|------------------|--------------------|--------------------------------------|----------|---------------|-------------|--------------|----------|------------|------|------------|
| A | UNIT: mm | | | TITLE | ACC, PWR, WP CAP SCREW, W/RB LEAD | | $\triangle B$ | ITEM NO | CAP-WTAMSPC1 | DRAWN BY | Vicky | DATE | 2013-09-12 |
| | TOLERANCE | .X ± 0.25 | .XX ± 0.1 | .XXX ± 0.05 | ANGLES $\pm 1^\circ$ | SCALE | 6:5 | SIZE | A4 | SHEET | 1 | OF | 1 |
| | REV. | B | WC-REV. | A.1 | CC : Inspection item | DWG NO | CAP-WTAMSPC1 | CHECKED BY | Sam | DATE | 2013-09-12 | | |
| | | | | | | CUSTOMER | ALTW | APPROVED BY | Rita | DATE | 2013-09-12 | | |

Amphenol LTW
安費諾亮泰企業股份有限公司