

RP-SMA Connector Plug, Female Socket 50 Ohms Free Hanging (In-Line) Solder

**RoHS
Compliant**

Stock No.: 9200857C0132

FEATURES

- RP-SMA Plug
- 50 Ohms
- RG-58, 58A, 58C



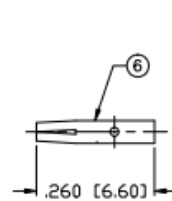
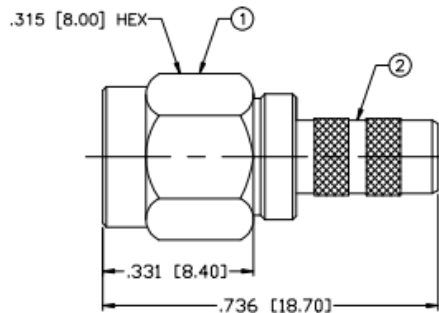
Product Description

RP-SMA connector has a robust center contact and outer conductor interface. RP-SMA connectors generally work up to 12.4 GHz and are a cost-effective way of insuring a highly dependable RF Coaxial connection.

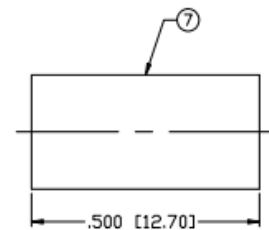
General Specifications

Attribute	Value
Connector Style	RP-SMA
Gender	Male
Impedance	50Ω
Mounting Type	Free Hanging (In-Line)
Frequency Range	12.4 GHz
Body Orientation	Straight
Polarity	Reverse Polarity
Contact Plating	Gold
Body Plating	Nickel
Contact Material	Beryllium Copper
Voltage Rating	500 V
Temperature Range	-65°C ~ 85°C

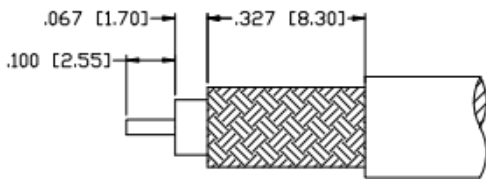
Product Drawing



SOLDER ONLY



RECOMMENDED
CRIMP DIE: .213"



SPECIFICATIONS:

IMPEDANCE: 50 Ohms
 FREQUENCY RANGE: 0–12.4 GHz
 INSERTION LOSS(dB): $0.03 \times \sqrt{f(\text{GHz})}$
 VSWR: 1.3 MAX.
 WORKING VOLTAGE: 500 V rms Max. @ Sea Level
 INSULATION RESISTANCE: 5k M Ohms min.
 TEMPERATURE RANGE: -65°C TO 85°C
 FOR RG-58, 58A, 58C, 141, 141A, BELDEN 8240, 9907
 8259, 8262, 9201, 9203, 9310, 9311 & COMM/SCOPE 0268

Dimensions: Millimeters (Inches)

Part Number Table

Part Number	Description
9200857C0132	RP-SMA Connector Plug, Female Socket 50 Ohms Free Hanging (In-Line) Solder

Important Notice: This data sheet and its contents (the "Information") belong to the members of the EASE group of companies (the "Group") or are licensed to it. No license is granted for the use of it other than for information purposes in connection with the products to which it relates. No license of any intellectual property rights is granted. The Information is subject to change without notice and replaces all data sheets previously supplied. The Information supplied is believed to be accurate, but the Group assumes no responsibility for its accuracy or completeness, any error in or omission from it or for any use made of it. Users of this data sheet should check for themselves the Information and the suitability of the products for their purpose and not make any assumptions based on information included or omitted. Liability for loss or damage resulting from any reliance on the Information or use of it (including liability resulting from negligence or where the Group was aware of the possibility of such loss or damage arising) is excluded. This will not operate to limit or restrict the Group's liability for death or personal injury resulting from its negligence. EASE is the registered trademark of Ease Electronics Co., Limited 2019.