

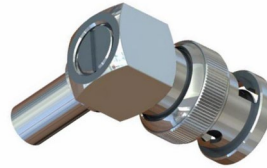
**BNC Connector Plug, Male Pin 50
Ohms Free Hanging (In-Line),
Right Angle Solder RG-58**

**RoHS
Compliant**

Stock No.: L037CT4508

FEATURES

- BNC Plug
- Cable Mount
- RG-58



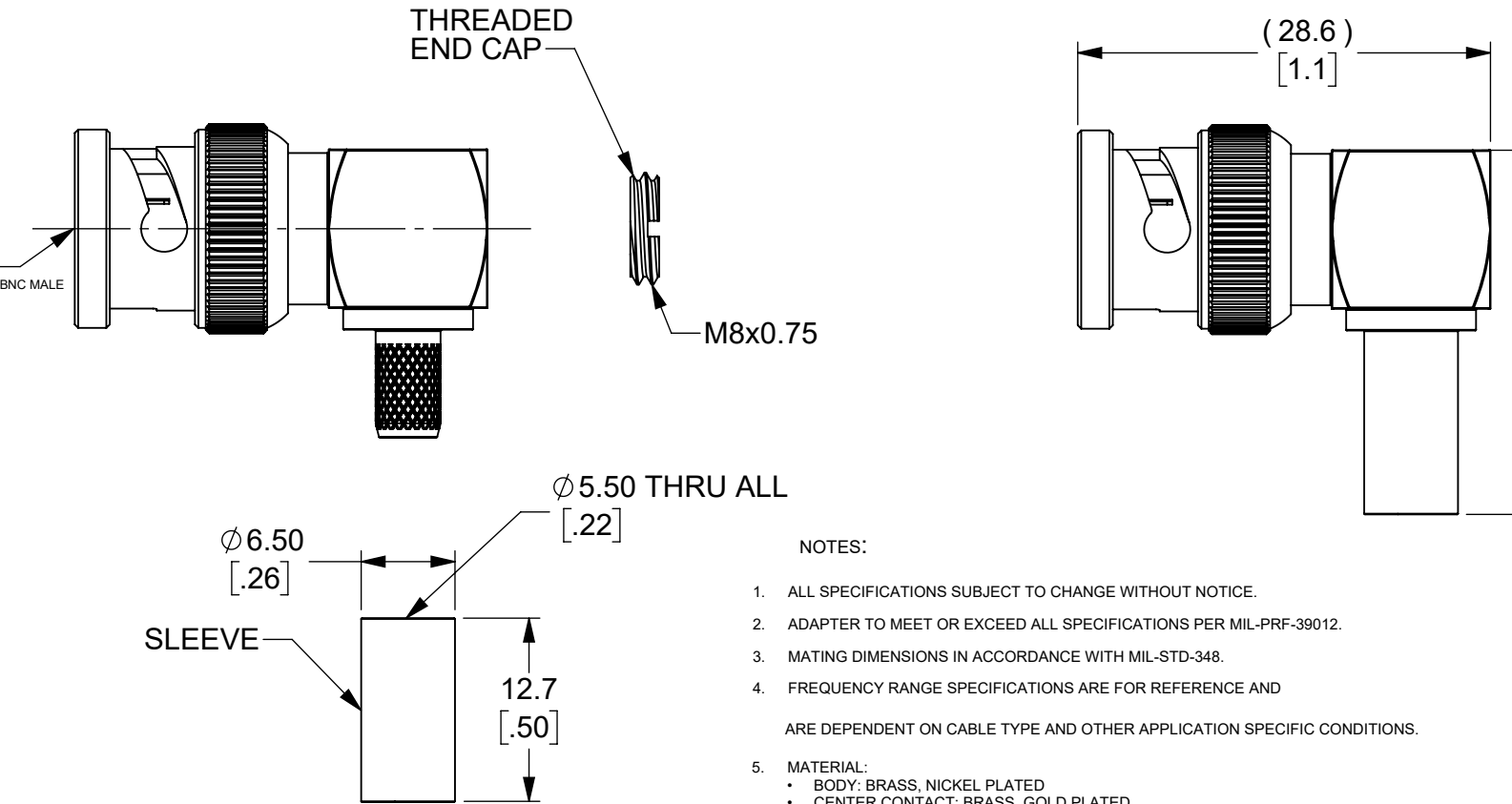
Product Description

BNC adapters interface design is defined by Mil-STD-348A and has no tool required bayonet mount coupling mechanism with a robust center contact and outer conductor interface. BNC's generally work up to 3 GHz and are a cost-effective way of insuring a highly dependable RF Coaxial connection.

General Specifications

Attribute	Value
Connector Style	BNC
Gender	Male
Impedance	50Ω
Mounting Type	Cable mount
Frequency Range	0-2 GHz
Body Orientation	Right Angle
Polarity	Normal
Contact Plating	Gold
Body Plating	Nikel
Contact Material	Beryllium Copper
Voltage Rating	500 Volts Peak
Temperature Range	-20°C ~ 80°C

Product Drawing



NOTES:

1. ALL SPECIFICATIONS SUBJECT TO CHANGE WITHOUT NOTICE.
2. ADAPTER TO MEET OR EXCEED ALL SPECIFICATIONS PER MIL-PRF-39012.
3. MATING DIMENSIONS IN ACCORDANCE WITH MIL-STD-348.
4. FREQUENCY RANGE SPECIFICATIONS ARE FOR REFERENCE AND ARE DEPENDENT ON CABLE TYPE AND OTHER APPLICATION SPECIFIC CONDITIONS.
5. MATERIAL:
 - BODY: BRASS, NICKEL PLATED
 - CENTER CONTACT: BRASS, GOLD PLATED
 - SLEEVE: BRASS, NICKEL PLATED
 - THREADED END CAP: BRASS, NICKEL PLATED
 - PLATED DIELECTRIC: DELRIN
6. ELECTRICAL:
 - IMPEDANCE: 50Ω
 - FREQUENCY: DC - 2 GHz
 - WORKING VOLTAGE: 500 Vrms
7. CABLE TYPE:
 - THE CT4508 IS INTENDED TO BE USED WITH THE FOLLOWING TYPES OF:
 - CABLE: RG-58
8. ASSEMBLY INSTRUCTIONS ON SHEET 2 OF 2.
9. MECHANICAL:
 - TEMPERATURE RANGE: -20 C TO +80 C
10. RoHS AND REACH COMPLIANT

Dimensions: Millimeters (Inches)

Part Number Table

Part Number	Description
L037CT4508	BNC Connector Plug, Male Pin 50 Ohms Free Hanging (In-Line), Right Angle Solder RG-58

Important Notice: This data sheet and its contents (the "Information") belong to the members of the EASE group of companies (the "Group") or are licensed to it. No license is granted for the use of it other than for information purposes in connection with the products to which it relates. No license of any intellectual property rights is granted. The Information is subject to change without notice and replaces all data sheets previously supplied. The Information supplied is believed to be accurate, but the Group assumes no responsibility for its accuracy or completeness, any error in or omission from it or for any use made of it. Users of this data sheet should check for themselves the Information and the suitability of the products for their purpose and not make any assumptions based on information included or omitted. Liability for loss or damage resulting from any reliance on the Information or use of it (including liability resulting from negligence or where the Group was aware of the possibility of such loss or damage arising) is excluded. This will not operate to limit or restrict the Group's liability for death or personal injury resulting from its negligence. EASE is the registered trademark of Ease Electronics Co., Limited 2019.